



## Aluminum electrolytic capacitors

Snap-in capacitors

**Series/Type:** B41845, B43845 / Standard 85 °C

Date: July 2008

Version: 1 - Preliminar

## General-purpose grade capacitors

### Applications

- Switched-mode power supplies in industrial and entertainment electronics

### Features

- High ripple current capability
- RoHS compatible

### Construction

- Charge-discharge proof, polar
- Aluminum case, fully insulated
- Snap-in solder pins to hold component in place on PC-board
- Minus pole marking on case surface
- Minus pole marking not insulated from case
- Overload protection by safety vent on the base

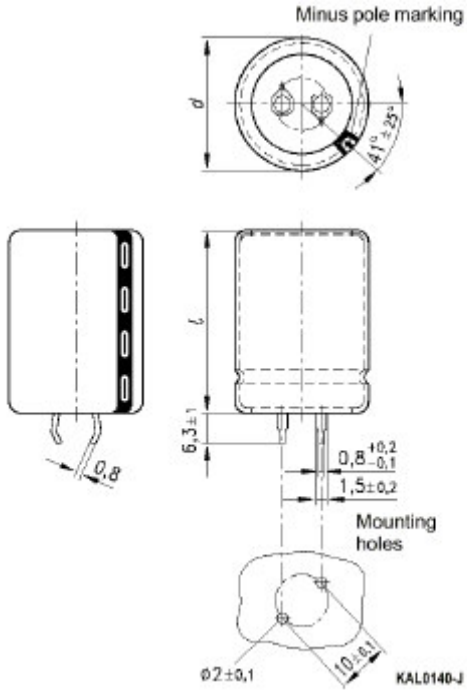



**Specifications and characteristics in brief**

Rated voltage $V_R$ Surge voltage $V_S$	25 ... 450 V DC 1.15 · $V_R$ (for ≤ 250 V DC) 1.1 · $V_R$ (for ≥ 385 V DC)	
Rated capacitance $C_R$ Capacitance tolerance	47... 22.000 µF ±20% $\triangleq$ M	
Leakage current $I_{leak}$ (20 °C, 5 min)	$I_{leak} \leq 0.3 \mu A \cdot \left( \frac{C_R}{\mu F} \cdot \frac{V_R}{V} \right)^{0.7} + 4 \mu A$	
Useful life 85 °C; $V_R$ ; $I_{AC,R}$  40 °C; $V_R$ ; 1.1 · $I_{AC,R}$	> 2000 h  > 100.000 h	Requirements: $\Delta C/C \leq \pm 30\%$ of initial value  ESR $\leq 3$ times initial specified limit  $I_{leak} \leq$ initial specified limit
Voltage endurance test  85 °C; $V_R$	1000 h	Post test requirements: $\Delta C/C \leq \pm 10\%$ of initial value  ESR $\leq 1.3$ times initial specified limit  $I_{leak} \leq$ initial specified limit
Vibration resistance test	To IEC 60068-2-6, test Fc: Displacement amplitude 0.75 mm, frequency range 10 ... 55 Hz, acceleration max. 10 g, duration 3 · 2 h. Capacitor mounted by its body which is rigidly clamped to the work surface.	
IEC climatic category	To IEC 60068-1: ≤ 250 Vdc: 40/085/56 (–40 °C/+85 °C/56 days damp heat test) ≥ 385 Vdc: 25/085/56 (–25 °C/+85 °C/56 days damp heat test)	
Vibration resistance	In accordance with IEC 68-2-6, test Fc: displacement amplitude 0,35 mm, frequency range 10... 50Hz, Acceleration max. 5 g, duration 3 x 2h	
Sectional specification	IEC 60384-4	



**Dimensional drawings**



**Package picture and drawing**



For ecological reasons the packing is pure cardboard.

**Dimensions and weights**

Dimensions (mm) with insulating sleeve		Approx. weight (g)	Packing units (pcs)
d +1	l ±2		
22	25	9	160
22	30	12	160
22	35	15	160
22	40	18	160
22	45	20	160
22	50	23	160
25	35	19	130
25	40	22	130
25	45	25	130
25	50	29	130

Dimensions (mm) with insulating sleeve		Approx. weight (g)	Packing units (pcs)
d +1	l ±2		
30	30	23	80
30	35	30	80
30	40	36	80
30	50	46	80
35	40	41	60
35	45	57	60
35	50	72	60


**Overview of available types**
**B41845 – Low voltage**

V <sub>R</sub> (V DC)	25	50	63	70	80	100
	Case dimensions d x l (mm)					
C <sub>R</sub> (μF)						
1000						22x30
1500						
2200		22x25				25x35
2500				22x40		
3300		22x30	22x40	22x50		30x40
4700		22x40	25x40	25x50	25x50	35x40
5000				25x50		
6800	22x30	25x40	30x40		30x50	35x50
10000	22x35	30x40			35x50	
15000	30x30	35x40	35x50			
22000		35x50				

**B43845 – High voltage**

V <sub>R</sub> (V DC)	160	200	250	385	400	450
	Case dimensions d x l (mm)					
C <sub>R</sub> (μF)						
47					22x25	
68					22x30	
82					22x30	
100				22x30	22x30	22x35
150				22x35	22x35	
220		22x30	22x25	22x45	25x40	25x45
330	22x25	22x30	22x30	30x40	30x40	35x40
470		22x35	22x40	35x40	35x40	35x50
560			22x40			
680	22x40	25x35	25x40	35x50		
820			25x45			
1000	30x35	30x35	30x40			
1500		30x40	35x45			
2200	35x40	35x45				


**Technical data and ordering codes**
**B41845 – Low voltage**

$V_R$	$C_R$ 120Hz 25 °C $\mu\text{F}$	Case Dimensions d x l mm	Ordering code
25	6800	22x30	B41845A5688M000
	10000	22x35	B41845A5109M000
	15000	30x30	B41845A5159M000
50	2200	22x25	B41845A6228M000
	3300	22x30	B41845A6338M000
	4700	22x40	B41845A6478M000
	6800	25x40	B41845A6688M000
	10000	30x40	B41845A6109M000
	15000	35x40	B41845A6159M000
	22000	35x50	B41845A6229M000
63	3300	22x40	B41845A7338M000
	4700	25x40	B41845A7478M000
	6800	30x40	B41845A7688M000
	15000	35x50	B41845A7159M000
70	2500	22x40	B41845A8258M000
	3300	22x50	B41845A8338M000
	4700	25x50	B41845A8478M000
	5000	25x50	B41845A8508M000
80	4700	25x50	B41845A0478M000
	6800	30x50	B41845A0688M000
	10000	35x50	B41845A0109M000
100	1000	22x30	B41845A9108M000
	2200	25x35	B41845A9228M000
	3300	30x40	B41845A9338M000
	4700	35x40	B41845A9478M000
	6800	35x50	B41845A9688M000


**B43845 – High voltage**

V <sub>R</sub> V DC	C <sub>R</sub> 120Hz 25°C μF	Case Dimensions d x l mm	Ordering code
160	330	22x25	B43845A1167M000
	680	22x40	B43845A1687M000
	1000	30x35	B43845A1108M000
	2200	35x40	B43845A1228M000
200	220	22x30	B43845A2227M000
	330	22x30	B43845A2337M000
	470	22x35	B43845A2477M000
	680	25x35	B43845A2687M000
	1000	30x35	B43845A2108M000
	1500	30x40	B43845A2158M000
	2200	35x45	B43845A2228M000
250	220	22x25	B43845A0227M000
	330	22x30	B43845A0337M000
	470	22x40	B43845A0477M000
	560	22x40	B43845A0567M000
	680	25x40	B43845A0687M000
	820	25x45	B43845A0827M000
	1000	30x40	B43845A0108M000
	1500	35x45	B43845A0158M000
385	100	22x30	B43845A3107M000
	150	22x35	B43845A3157M000
	220	22x45	B43845A3227M000
	330	30x40	B43845A3337M000
	470	35x40	B43845A3477M000
	680	35x50	B43845A3687M000
400	47	22x25	B43845A9476M000
	68	22x30	B43845A9686M000
	82	22x30	B43845A9826M000
	100	22x30	B43845A9107M000
	150	22x35	B43845A9157M000
	220	25x40	B43845A9227M000
	330	30x40	B43845A9337M000
	470	35x40	B43845A9477M000
	560	35x45	B43845A9567M000
450	100	22x35	B43845A5107M000
	220	25x45	B43845A5227M000
	330	35x40	B43845A5337M000
	470	35x50	B43845A5477M000

## Important notes

The following applies to all products named in this publication:

1. Some parts of this publication contain **statements about the suitability of our products for certain areas of application**. These statements are based on our knowledge of typical requirements that are often placed on our products in the areas of application concerned. We nevertheless expressly point out **that such statements cannot be regarded as binding statements about the suitability of our products for a particular customer application**. As a rule, EPCOS is either unfamiliar with individual customer applications or less familiar with them than the customers themselves. For these reasons, it is always ultimately incumbent on the customer to check and decide whether an EPCOS product with the properties described in the product specification is suitable for use in a particular customer application.
2. We also point out that **in individual cases, a malfunction of passive electronic components or failure before the end of their usual service life cannot be completely ruled out in the current state of the art, even if they are operated as specified**. In customer applications requiring a very high level of operational safety and especially in customer applications in which the malfunction or failure of a passive electronic component could endanger human life or health (e.g. in accident prevention or life-saving systems), it must therefore be ensured by means of suitable design of the customer application or other action taken by the customer (e.g. installation of protective circuitry or redundancy) that no injury or damage is sustained by third parties in the event of malfunction or failure of a passive electronic component.
3. **The warnings, cautions and product-specific notes must be observed.**
4. In order to satisfy certain technical requirements, **some of the products described in this publication may contain substances subject to restrictions in certain jurisdictions (e.g. because they are classed as “hazardous”)**. Useful information on this will be found in our Material Data Sheets on the Internet ([www.epcos.com/material](http://www.epcos.com/material)). Should you have any more detailed questions, please contact our sales offices.
5. We constantly strive to improve our products. Consequently, **the products described in this publication may change from time to time**. The same is true of the corresponding product specifications. Please check therefore to what extent product descriptions and specifications contained in this publication are still applicable before or when you place an order.  
  
We also **reserve the right to discontinue production and delivery of products**. Consequently, we cannot guarantee that all products named in this publication will always be available.
6. Unless otherwise agreed in individual contracts, **all orders are subject to the current version of the “General Terms of Delivery for Products and Services in the Electrical Industry” published by the German Electrical and Electronics Industry Association (ZVEI)**.
7. The trade names EPCOS, EPCOS-JONES, BAOKE, Alu-X, CeraDiode, CSSP, MLSC, MotorCap, PhaseCap, PhaseMod, SIFERRIT, SIFI, SIKOREL, SilverCap, SIMID, SIOV, SIP5D, SIP5K, WindCap are **trademarks registered or pending** in Europe and in other countries. Further information will be found on the Internet at [www.epcos.com/trademarks](http://www.epcos.com/trademarks).